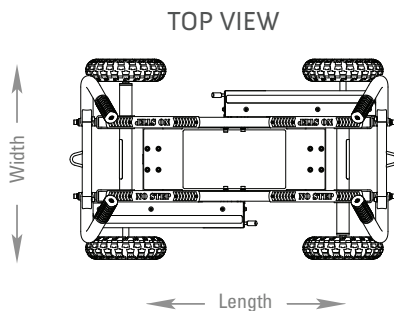


Model number	XTTM4-PH
Footprint (L x W x H)	52.4" x 31.9" x 37.1" (133 cm x 81 cm x 94 cm)
Weight	198 lbs (89.8 kg)
Warranty	10 year frame and welds/1 year parts and finish/90 days grips and optional accessories



TANK M4 OPTIONS

- CRASH BUMPERS
- WEIGHT HORNS
- TRACTION KIT
- TOW KIT
- TOW ROPE
- GROUP TRAINING KIT
- GROUP ANCHOR STATION
- OUTDOOR COVER